

Smart Features

- Efficient Dual-Core Processor.
- Durable die cast housing for optimal heat dissipation.
- Fanless and ventless operation.
- No internal moving parts for ultimate stability.

LC8710

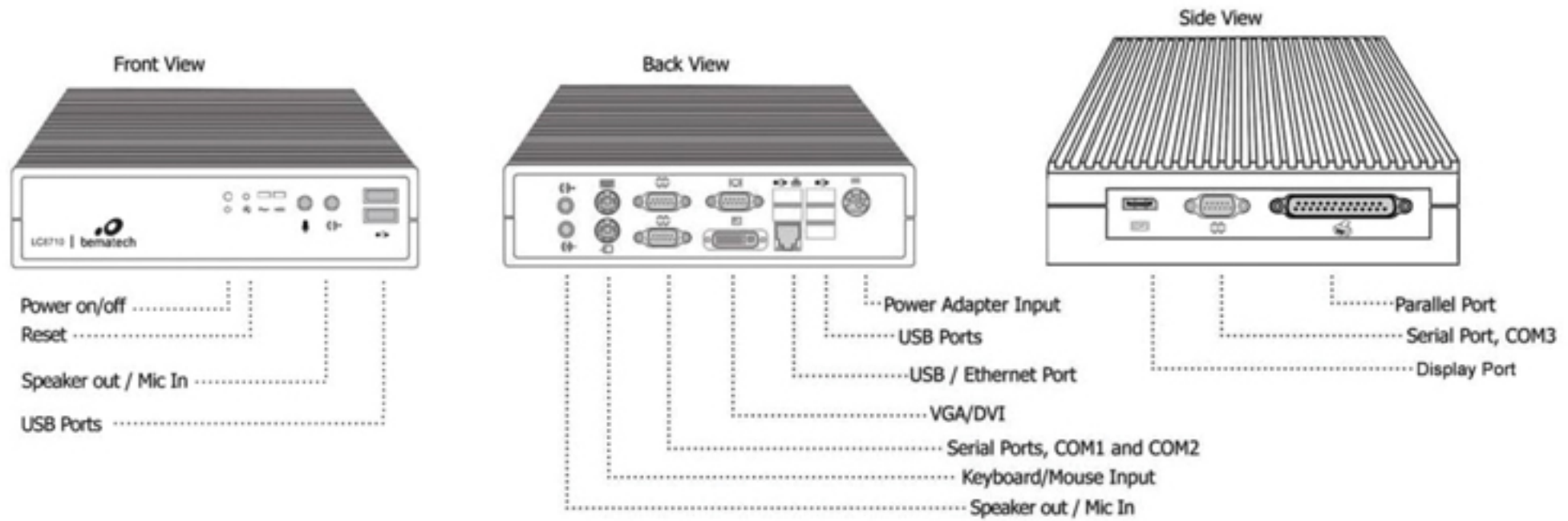


Reliable Performance Ultra Compact & Rugged

Industrial computers need to be reliable in mission critical applications placed in harsh environments. Bematech's LC8710 fanless & ventless computer's Dual-Core power allows for maximum efficiency and high reliability. The single board design limits the number of internal cables and fits in an ultra compact die cast housing. No-moving part operation is provided when SSD or network boot configurations are employed.



LC8710 SERIES RETAIL HARDENED COMPUTER SPECIFICATIONS



SYSTEM

CPU	Intel Baytrail-I E3825 1.33GHz Dual Core processor with 1MB L2 Cache
System Memory	Up to 4GB, DDR3L SODIMM x1
Mass Storage	Internal SATA HDD, SATA SSD, or mSATA SSD

POWER SUPPLY

Single power input	12VDCt
Power adapter input	100 to 240VAC, 1.5A max 50/60Hz
Power adapter output	12VDC 5A

MECHANICAL

Weight	3.3lbs
Dimension (W x H x D)	8.1" x 6.3" x 2.0" (206mm x 160mm x 51mm)
Housing	Die cast

I/O PORTS

Video	1920x1080 pixels max VGA, DVI-I and DisplayPort
Network Interface	10/100/1000 Mbits Ethernet, Network boot capable
Keyboard/Mouse	PS/2 mini-DIN6 connectors
USB Port	USB 2.0 ports x6, USB 3.0 port x1
Serial Port	DB9 x3 (COM1 to COM3), Optional +5V/+12V power at pin 9
Parallel Port	DB25 x1 (LPT1)
Audio	Mic in x2 and Speaker out x2 with 2W power amplifier
Expansion slot	Mini PCIe socket (support WiFi card)

ENVIROMENT

Operating Temperature	5°C to 40°C
Relative Humidity	8 to 80%, non-condensing
Storage Temperature	0°C to 60°C
Relative Humidity	5 to 80%, non-condensing